


For Residential and Commercial Applications

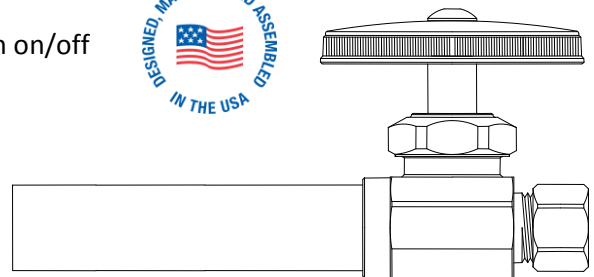
Job Name		Engineer / Architect	
Job Location		Wholesaler	
Submittal Date		Contractor	

CS41/ CS41B/ CS47 Multi-Turn Sweat Straight Stop w/ 5" Extension (Optional Loose Key)

Use: For use with water in accessible locations only. Not intended for recirculating water systems that produce continuous use temperatures above 115° F. For those applications, use our KT™ series ball stops.

Design Features:

- **Machined one-piece brass body** provides strength, durability, and long-lasting performance
- **Easy-to-remove handle** with screw attachment helps protect against accidental stop operation during rough-ins
- **Oval knurled handle** provides a secure grip and smooth on/off operation
-  **No Lead**



Operating Specifications:

Temperature: 40° - 140° F
Pressure: 125 PSI maximum

Standard

STOP MATERIAL SPECIFICATIONS	
Body	Brass or brass, plated
Stem	Brass; or brass, chrome plated
Handle	Zinc die cast, plated
Handle Screw	Steel, zinc plated
Bib & Packing Washer	Rubber
Packing Nut	Brass or brass, plated
Compression Sleeve	Brass
Compression Nut	Brass or brass, plated

Escutcheon	Steel, plated
Loose Key Adaptor	Brass or brass, plated
Loose Key	Zinc die cast
Lock Shield	Brass or brass, plated

Compliant

STOP MATERIAL SPECIFICATIONS	
Body	Compliant brass or compliant brass, plated
Stem	Compliant brass, or Compliant brass, chrome plated
Handle	Zinc die cast, plated
Handle Screw	Steel, zinc plated
Bib & Packing Washer	Rubber
Packing Nut	Brass or brass, plated
Compression Sleeve	Brass
Compression Nut	Brass or brass, plated

Escutcheon	Steel, plated
Loose Key Adaptor	Compliant brass or Compliant brass, plated
Loose Key	Zinc, die cast
Lock Shield	Brass or brass, plated

Standard Part Listing:

- CS41 C 1/2" nom sweat x 3/8" OD compression stop, chrome plated
- CS41B C 1/2" nom sweat x 3/8" OD compression stop, bell escutcheon, chrome plated

This specification and all information contained herein is the confidential and exclusive property of BrassCraft Manufacturing, and shall not be disclosed to others without the written consent of BrassCraft Mfg. This specification must be returned to BrassCraft Mfg if requested.



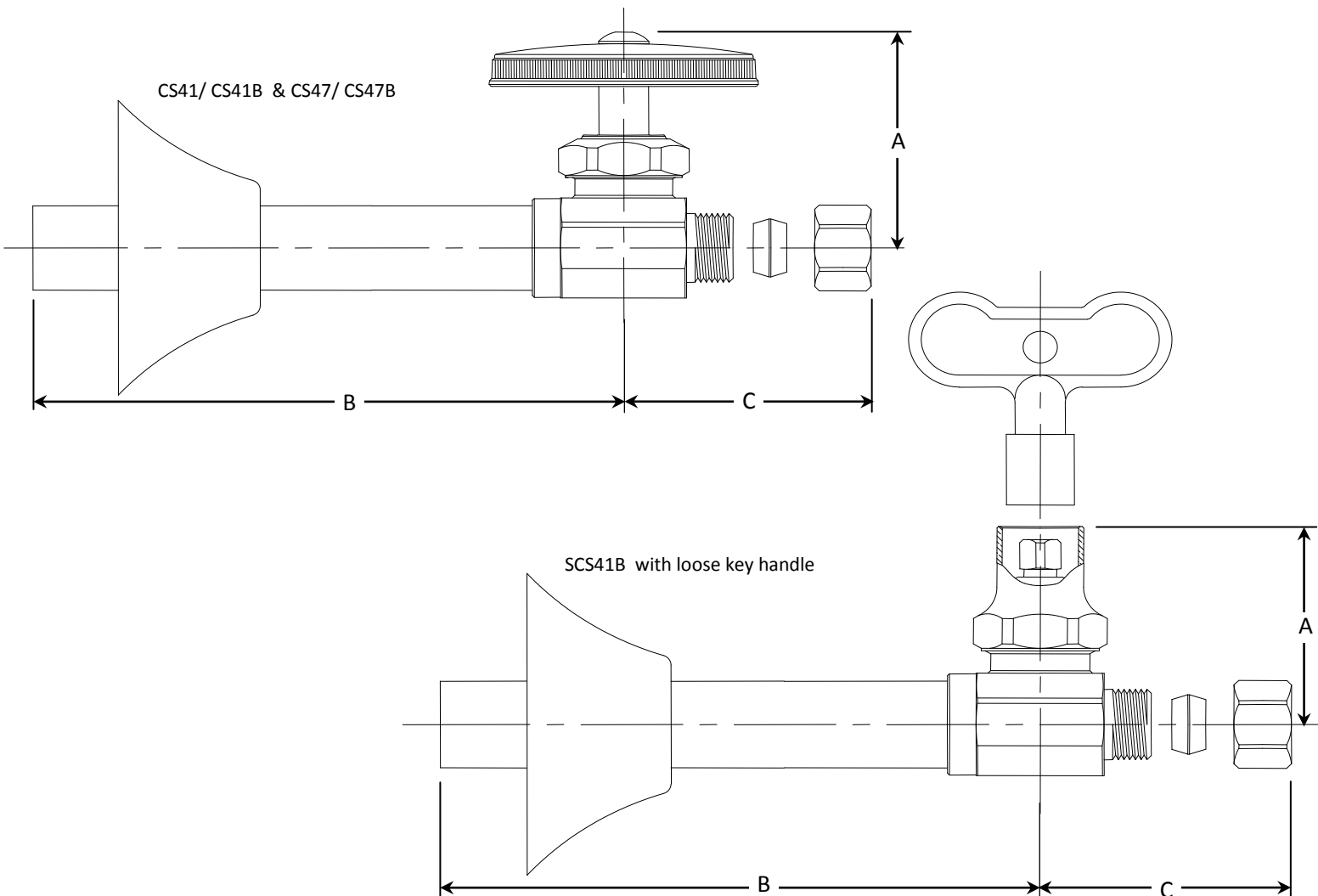
CS41/ CS41B/ CS47 Multi-Turn Sweat Straight Stop w/ 5" Extension (Optional Loose Key)

Standard Part Listing (con't):

<input type="checkbox"/>	CS41B CD	1/2" nom sweat x 3/8" OD compression stop, bell escutcheon, chrome plated, carded
<input type="checkbox"/>	CS41B C1	1/2" nom sweat x 3/8" OD compression stop, bell escutcheon, chrome plated, window tray
<input type="checkbox"/>	CS41B BRL	1/2" nom sweat x 3/8" OD compression stop, bell escutcheon, polished brass PVD
<input type="checkbox"/>	CS41B BZ	1/2" nom sweat x 3/8" OD compression stop, bell escutcheon, oil rubbed bronze
<input type="checkbox"/>	CS41B NP	1/2" nom sweat x 3/8" OD compression stop, bell escutcheon, polished nickel
<input type="checkbox"/>	CS41B NS	1/2" nom sweat x 3/8" OD compression stop, bell escutcheon, satin nickel
<input type="checkbox"/>	CS47 C	1/2" nom sweat x 1/2" OD compression stop, chrome plated
<input type="checkbox"/>	CS47B C	1/2" nom sweat x 1/2" OD compression stop, bell escutcheon, chrome plated
<input type="checkbox"/>	SCS41B C	1/2" nom sweat x 3/8" OD compression stop, bell escutcheon, with loose key, chrome plated

Compliant Part Listing:

<input type="checkbox"/>	CS41BX C	1/2" nom sweat x 3/8" OD compression stop, bell escutcheon, chrome plated
<input type="checkbox"/>	CS41BX C1	1/2" nom sweat x 3/8" OD compression stop, bell escutcheon, chrome plated, window tray
<input type="checkbox"/>	CS47X C	1/2" nom sweat x 1/2" OD compression stop, chrome plated
<input type="checkbox"/>	CS47BX C	1/2" nom sweat x 1/2" OD compression stop, bell escutcheon, chrome plated
<input type="checkbox"/>	SCS41BX C	1/2" nom sweat x 3/8" OD compression stop, bell escutcheon, with loose key, chrome plated



This specification and all information contained herein is the confidential and exclusive property of BrassCraft Manufacturing, and shall not be disclosed to others without the written consent of BrassCraft Mfg. This specification must be returned to BrassCraft Mfg if requested.

BrassCraft[®]

CS41/ CS41B/ CS47/ SCS41B Multi-Turn Sweat Straight Stop w/ 5" Extension (Optional Loose Key)

PART DIMENSIONS (Inches)			
Model	DIM A	DIM B	DIM C
CS41	1.75	5.50	1.09
CS41B	1.75	5.50	1.09
CS47	1.75	5.50	1.12

PART DIMENSIONS (Inches)			
Model	DIM A	DIM B	DIM C
CS47B	1.75	5.50	1.12
SCS41B	1.57	5.50	1.09

Listings & Certifications:

- IAPMO listed to ASME A112.18.1 / CSA B125.1 (File # 0645)
- CSA listed to ASME A112.18.1 / CSA B125.1 (File # 204593)
- Compliant product CSA listed to Low Lead Content Certification Program – Plumbing Products Class 6853-01



This specification and all information contained herein is the confidential and exclusive property of BrassCraft Manufacturing, and shall not be disclosed to others without the written consent of BrassCraft Mfg. This specification must be returned to BrassCraft Mfg if requested.

BrassCraft®